

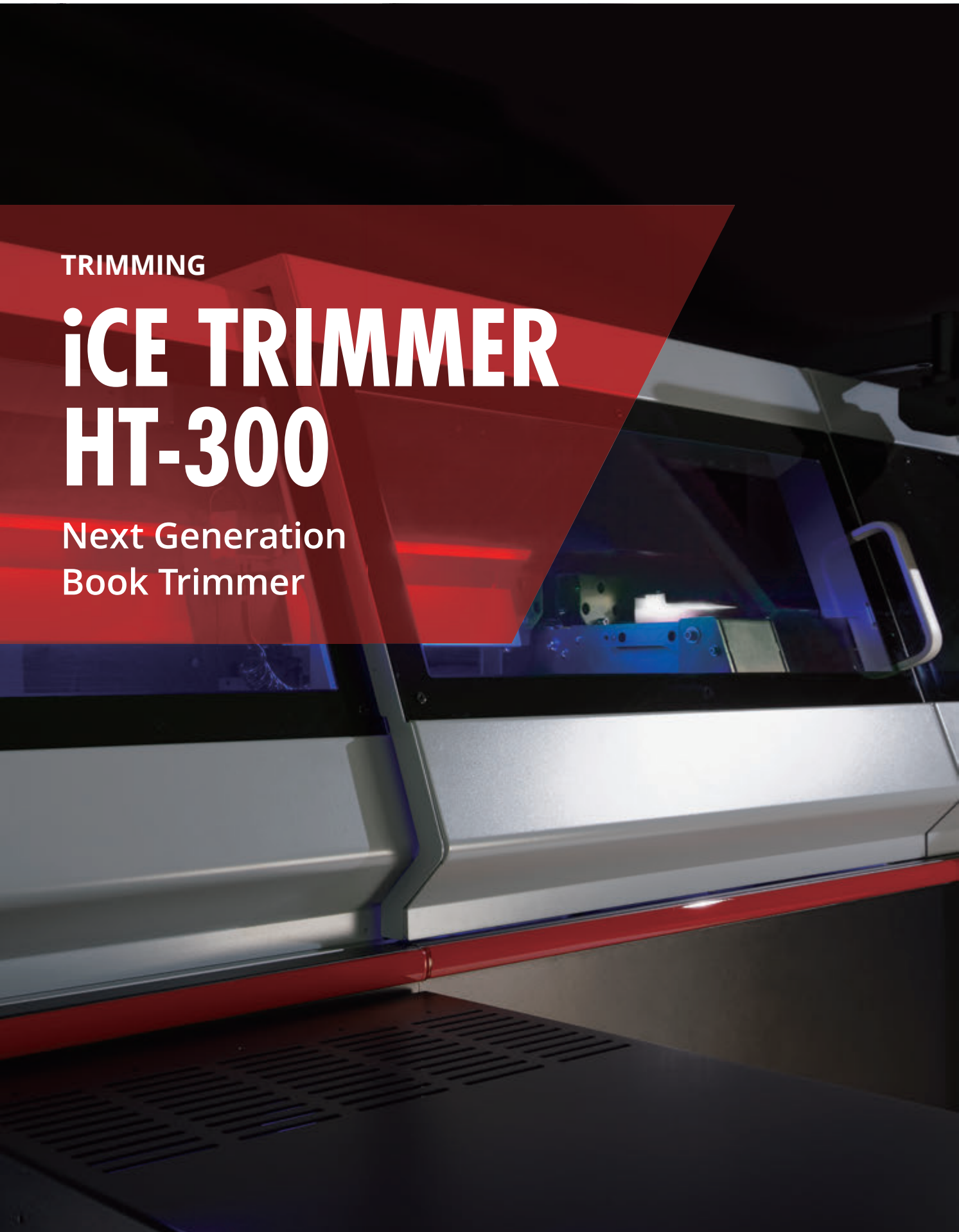
**Horizon**

**iCE Series**

TRIMMING

# iCE TRIMMER HT-300

Next Generation  
Book Trimmer





**i** = Intelligence, Integration, Interaction  
**C** = Connection  
**E** = Efficiency

All Connected...

## Integrate the perfect bind process with automation.

The iCE series is a new product line-up which designed to provide added value to our customers. A new operation interface for a more integrated operation, and advanced automation to provide increased efficiency and productivity. In addition, Connecting with an iCE Link workflow system provides an advanced and totally connected work environment.

# ENHANCED PRODUCTIVITY WITH CONNECTED FEATURES.

New functions bring high productivity and user friendly operation.

## BENEFIT OF iCE TRIMMER HT-300

### HIGH SPEED

The HT-300 is a single knife three side trimmer with fully automated setup features. The maximum production speed is 300 cycles per hour for increased productivity.

### HIGH QUALITY

Accurate and clean cuts are achieved with precision automation and new features such as auto book thickness measuring and table angle adjustment.

### LABOR SAVING

The HT-300 can be connected inline with Horizon perfect binders to increase productivity and reduce labor costs.

### CONFIGURATION FLEXIBILITY

A variety of selections\* for the feeder and delivery section allows for a flexible system configuration for both inline and offline production.

\*For the feeder: stack or pusher in feed  
 For the delivery unit: delivery stacker or conveyor (front/side)

### APPLICATION FLEXIBILITY

Flap cover trimming and corner trimming are available as standard features. These features expand the possibility to offer value added products.

### STATUS RECOGNITION

The LED lights in the HT-300 indicate the operational status by switching color to identify the system status at a glance. The lights serve as white working lights when the cover is open. The color of the lights can be chosen from the touch panel.

### MANAGE YOUR BINDERY WITH HORIZON'S BINDERY CONTROL SYSTEM

The iCE Series can be enhanced with automated workflow from upstream to postpress with Horizon's next generation bindery control system iCE LINK using cloud technology.





 **ICE TRIMMER**

Scan QR code  
and watch the  
product video.





# DETAILS FOR EACH SECTION.

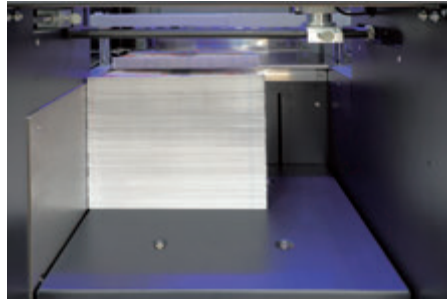
## 1 TOUCH PANEL DISPLAY



The 12.1 inch color touch-screen is icon-based for user-friendly operation. Setup and operation can be done at the touchscreen. Up to 999 job settings can be memorized for repeat jobs, special applications or job interruption.

## 2 FEEDERS SELECTION

BF-S300 Suction Feeder



The infeed table can hold a maximum pile of 300 mm / 11.81". Efficient feeding is performed by suction feed, handling a wide range of books without special adjustment. The BR-S300, optional code reader (supporting 1D and 2D) enables automated setup by barcode.

BF-P300 Pusher Feeder



A maximum pile of 51 mm / 2.0" can be transported to increase productivity. (When 5 books are stacked on the pile, it is capable of producing 1500 books per hour). The BF-P300 can be used for inline configuration with a binder and as an offline feeder as well. A standard equipped code reader (supporting 1D and 2D) for automated setup by barcode.

## 5 DELIVERY UNITS SELECTION

Delivery Stacker



The finished books are stacked on the delivery stacker, which can accept a maximum pile of 300 mm / 11.81".

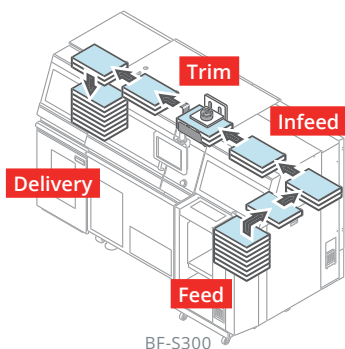
CV-300 Conveyor



The delivered books can be piled up to 102 mm / 4.02" on the delivery section for easy offloading.

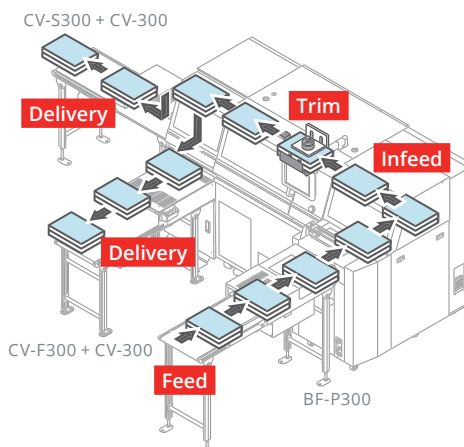
## BOOK FLOW

Stacked books at feed and delivery section



BF-S300

Using conveyors for feed and delivery section



CV-S300 + CV-300

CV-F300 + CV-300

BF-P300

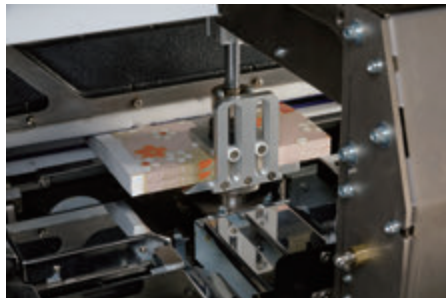


### 3 INFEDING



Smooth surface treatment and a rigid gripper mechanism enables smooth transport of a wider range of books without marking for a high quality finish.

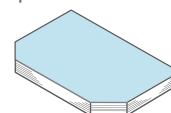
### 4 TRIMMING



Rigid cutting mechanism and servo motor driven cutting table rotation for sharp and accurate trim quality. The cut direction of the knife changes to insure that the knife is always cutting from the spine to the fore-edge to minimize the possibility of chipping.

### CORNER TRIMMING

Fore-edge of the book can be trimmed at any angle. The rotary table on the trim section enables finishing in a variety of shapes.



### FLAP COVER TRIMMING

Fore-edge trimming of books with flap covers can be performed in one pass with standard equipped flap cover kit.



 **ICE TRIMMER**

# OPTIONS.

## Performance Enhancing Options.

### | **BF-S300** SUCTION FEEDER

- The BF-S300 feeds the books stacked on the feed stacker.



### | **BF-P300** PUSHER FEEDER

- The BF-P300 pushes the books transported by the conveyor to feed into the HT-300.



### | **CV-F300** FRONT CONVEYOR

### | **CV-S300** SIDE CONVEYOR

- Directional conveyor option either to the front or side.



### | **CV-300** CONVEYOR

- Motorized 1m length conveyor to deliver the finished books.



### | **CV-R300** CONVEYOR

- A simple free-wheeling roller conveyor to extend the delivery conveyor.



CV-300

BF-P300

CV-R300

## BR-S300 CODE READER FOR BF-S300

- Barcode reader option for suction feeder BF-S300. 1D and 2D codes are supported.



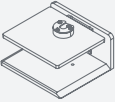
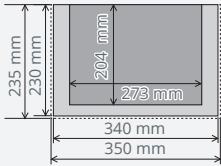

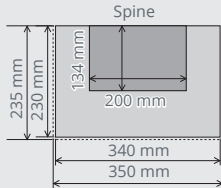

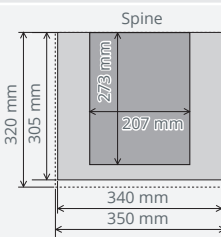

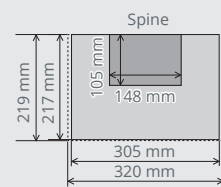
## ROTARY TABLE

- The optional rotary tables for different finished size books.

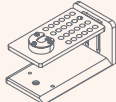
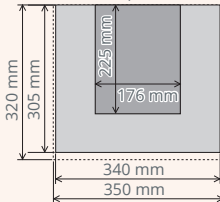
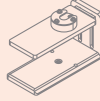
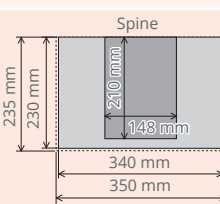
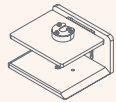
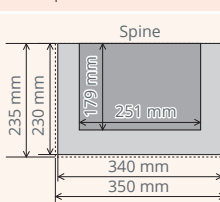
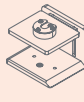
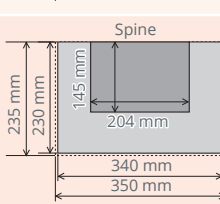
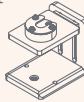
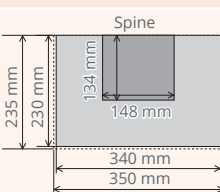
Before Trimming

Maximum Trimmed Size

Minimum Trimmed Size

ACCESSORIES	
Parts Name	Trim Size
<b>Rotary Table A</b> Portrait  For A4 and 8.5 x 11 inch	Spine  235 mm, 230 mm, 204 mm, 273 mm, 340 mm, 350 mm
<b>Rotary Table B</b> Portrait  For B5, 6 x 9 inch, A5, 5.5 x 8.5 inch	Spine  235 mm, 230 mm, 134 mm, 200 mm, 340 mm, 350 mm
<b>Rotary Table C</b> Landscape  For A4E and 11 x 8.5 inch	Spine  320 mm, 305 mm, 273 mm, 207 mm, 340 mm, 350 mm
<b>Rotary Table K</b> Portrait  For A6	Spine  219 mm, 217 mm, 105 mm, 148 mm, 305 mm, 320 mm

\*Sizes under the illustrations indicate the most suitable standard finished sizes that each rotary table can perform the best quality.

OPTIONS	
Parts Name	Trim Size
<b>Rotary Table D</b> Landscape  For B5E	Spine  320 mm, 305 mm, 225 mm, 176 mm, 340 mm, 350 mm
<b>Rotary Table E</b> Landscape  For A5E and 9 x 6	Spine  235 mm, 230 mm, 210 mm, 148 mm, 340 mm, 350 mm
<b>Rotary Table F</b> Portrait  For B5	Spine  235 mm, 230 mm, 179 mm, 251 mm, 340 mm, 350 mm
<b>Rotary Table G</b> Portrait  For A5	Spine  235 mm, 230 mm, 145 mm, 204 mm, 340 mm, 350 mm
<b>Rotary Table H</b> Portrait  For A5	Spine  235 mm, 230 mm, 134 mm, 148 mm, 340 mm, 350 mm



# BOOK OF ONE PRODUCTION.

Output units for in-line book production efficiency.



## UNITS FOR IN-LINE CONNECTION

The following optional equipment allows for in-line connection with the Horizon perfect binders, BQ-500/BQ-480/BQ-470.

### EL-300 ELEVATOR CONVEYOR

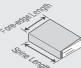
- The EL-300 receives the books from the SS-800 and elevates them to the height of the infeed of the HT-300 for inline production.

### SS-800 STACK STREAM

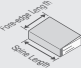
- The SS-800 accumulates the bound books into stacks up to 2" and transports them to the EL-300.
- Settings such as the number of stacked books can be set through the touch panel of the HT-300. (The settings can also be done on the BQ-500 when the BQ-500 is connected.)



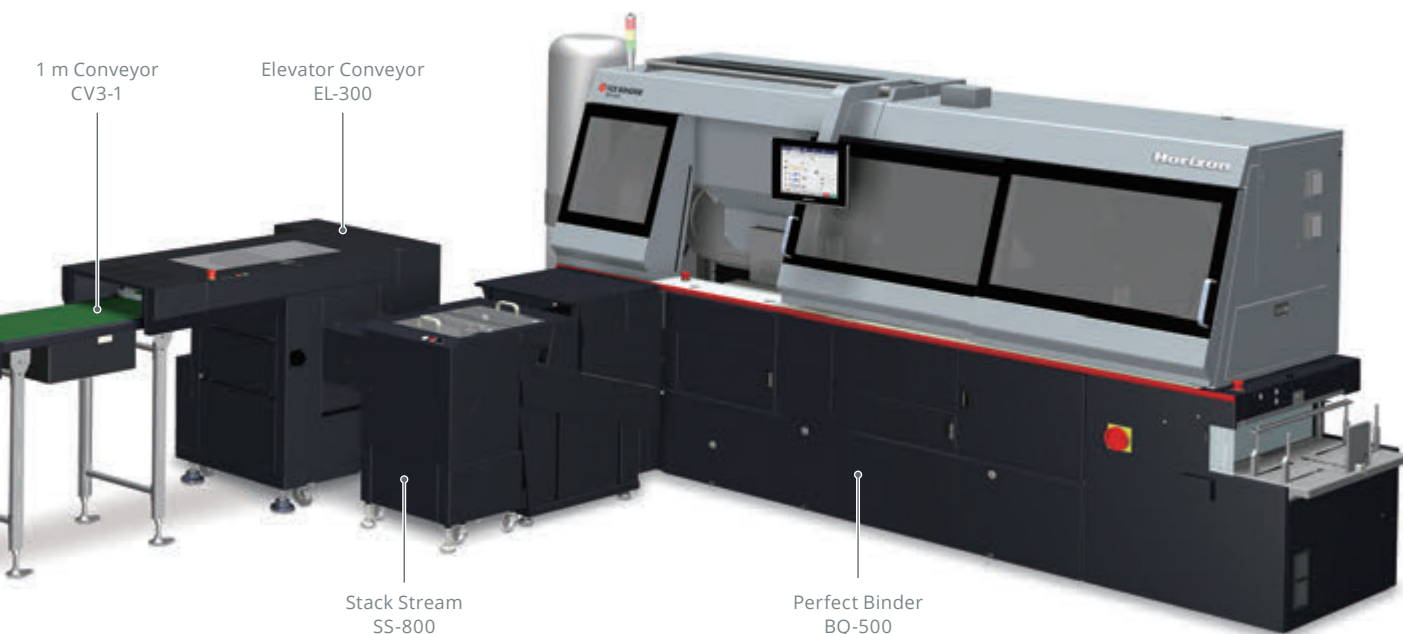
#### SPECIFICATIONS FOR EL-300

<b>Untrimmed Book Size</b>		<b>Spine Length x Fore-edge Length</b> Max. 320 x 320 mm or 12.595" x 12.595" Min. 145 x 105 mm or 5.710" x 4.135"
<b>Pile Height</b>		Max. 65 mm or 2.56" Min. 1 mm or 0.04"
<b>Book Thickness</b>		Max. 65 mm or 2.560" Min. 1 mm or 0.040" (Although the maximum book thickness is 65 mm or 2.560" on the EL-300, the HT-300 can trim up to 51 mm or 2.005" thickness book.)
<b>Production Speed</b>		Max. 300 cycles per hour
<b>Voltage/Frequency</b>		3-phase 200-240 V, 50 / 60 Hz
<b>Machine Dimensions</b>		1,010 (W) x 1,400 (D) x 1,110 (H) mm or 39.764" (W) x 55.118" (D) x 43.701" (H)
<b>Machine Weight</b>		305 kg or 672.41 lb

#### SPECIFICATIONS FOR SS-800

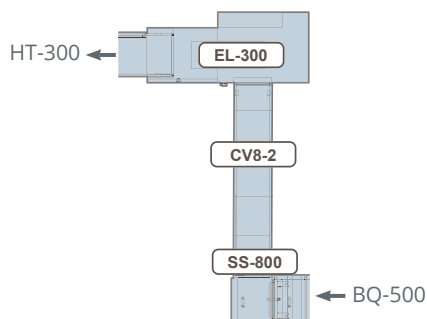
<b>Untrimmed Book Size</b>		<b>Spine Length x Fore-edge Length</b> Max. 320 x 320 mm or 12.595" x 12.595" Min. 145 x 105 mm or 5.710" x 4.135"
<b>Book Thickness</b>		Max. 65 mm or 2.56" Min. 2 mm or 0.08" (Machine can process books with 1 mm or 0.04" thickness depending on condition.)
<b>Pile Height</b>		Max. 65 mm or 2.56" Min. 1 mm or 0.042 Pile height is limited depending on book thickness. (Height of transport pusher is 54 mm or 2.126" and all piled books should be touching the transport pusher.)
<b>Production Speed</b>		Max. 1,000 cycles per hour (Linked operation) Max. 1,350 cycles per hour (Standalone operation)
<b>Voltage/Frequency</b>		3-phase 200 to 230V, 50 / 60 Hz
<b>Machine Dimensions</b>		Main Body: 475 mm (W) x 475 mm (D) x 890 mm (H) or 18.701" (W) x 18.701" (D) x 35.040" (H) Electrical Box: 470 mm (W) x 275 mm (D) x 465 mm (H) or 18.504" (W) x 10.827" (H) x 18.308" (H)
<b>Machine Weight</b>		70 kg or 154.2 lb





A wide variety of conveyors for a flexible machine layout.

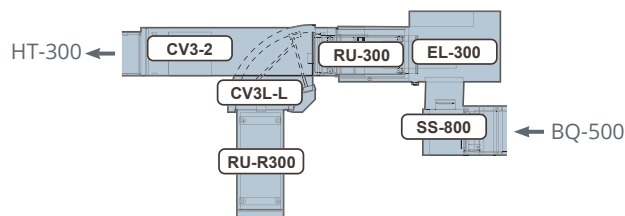
#### Conveyors Between SS-800 and EL-300



\*2m or longer conveyor requires between the EL-300 and SS-800 when connecting them with the straight conveyor.

- CV8-1 1M CONVEYOR**
- CV8-2 2M CONVEYOR**
- CV8-3 3M CONVEYOR**
- CV3L-L / CV3L-R CURVE CONVEYOR (LOW)**

#### Conveyors Between EL-300 and HT-300



\*When the RU-300 is configured, 2m or longer conveyor requires between the HT-300 and EL300.

- CV3H-L / CV3H-R CURVE CONVEYOR (HIGH)**
- CV3-1 1 M CONVEYOR**
- CV3-2 2 M CONVEYOR**
- CV3-3 3 M CONVEYOR**
- RU-300 REJECT UNIT**

- The RU-300 is installed to the EL-300 to reject errored books and offload books without trimming.

Conveyors which can be connected to the RU-300

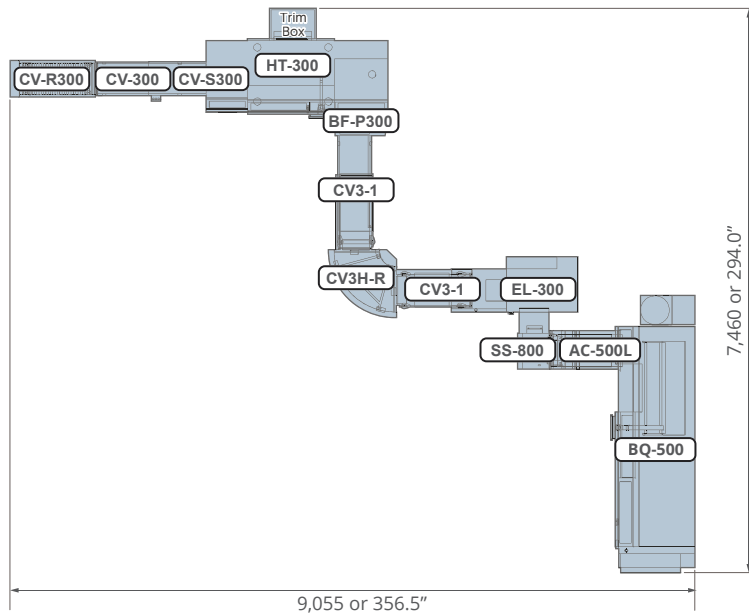
- RU-R300 ROLLER CONVEYOR**
- CV3L-L / CV3L-R CURVE CONVEYOR (LOW)**

# SPECIFICATIONS.

Machine Dimensions. (Unit: mm or inch)

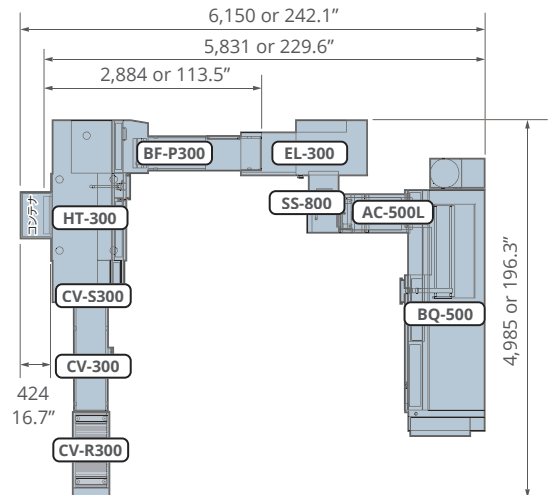
## CONFIGURATION 1

(Top View)



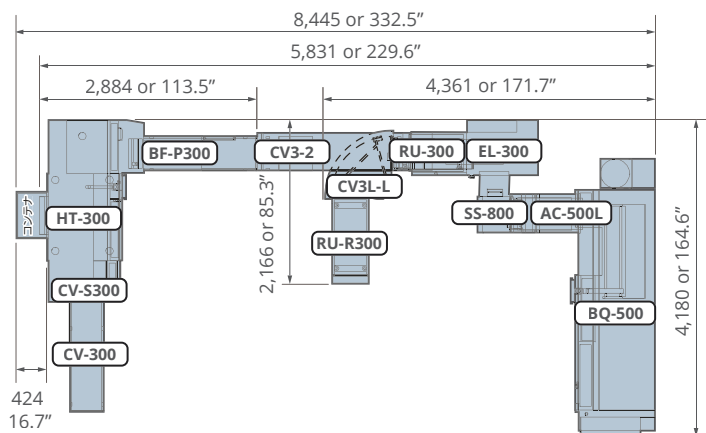
## CONFIGURATION 2

(Top View)



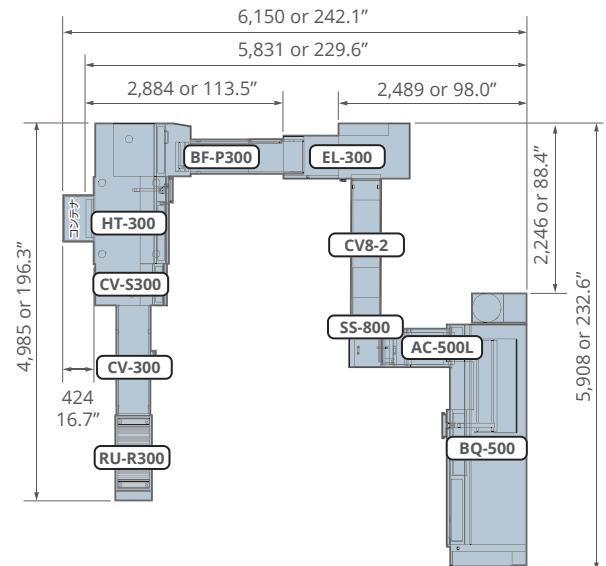
## CONFIGURATION 3

(Top View)

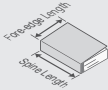
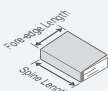


## CONFIGURATION 4

(Top View)



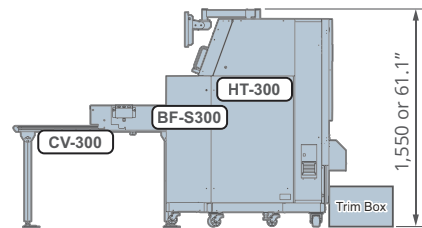
## HT-300

<b>Untrimmed Book Size</b> (Spine Length x Fore-edge Length)  	<b>Standard Rotary Tables</b>	
	Table A for portrait	Max. 350 × 235 mm or 13.775" × 9.250" Min. 277 × 206 mm or 10.910" × 8.115"
	Table B for portrait	Max. 350 × 235 mm or 13.775" × 9.250" Min. 204 × 136 mm or 8.035" × 5.355"
	Table C for landscape	Max. 350 × 320 mm or 13.775" × 12.595" Min. 211 × 275 mm or 8.310" × 10.830"
	Table K for A6	Max. 320 × 219 mm or 12.595" × 8.620" Min. 152 × 107 mm or 5.985" × 4.215"
	<b>Optional Rotary Tables</b>	
	Table D for landscape	Max. 350 × 320 mm or 13.775" × 12.595" Min. 180 × 227 mm or 7.090" × 8.940"
	Table E for landscape	Max. 350 × 235 mm or 13.775" × 9.250" Min. 152 × 212 mm or 5.985" × 8.350"
	Table F for portrait	Max. 350 × 235 mm or 13.775" × 9.250" Min. 255 × 181 mm or 10.040" × 7.130"
	Table G for portrait	Max. 350 × 235 mm or 13.775" × 9.250" Min. 208 × 147 mm or 8.190" × 5.790"
Table H for portrait	Max. 350 × 235 mm or 13.775" × 9.250" Min. 152 × 136 mm or 5.985" × 5.355"	
<b>Finished Book Size</b> (Spine Length x Fore-edge Length)  	<b>Standard Rotary Tables</b>	
	Table A for portrait	Max. 340 × 230 mm or 13.385" × 9.055" Min. 273 × 204 mm or 10.750" × 8.035"
	Table B for portrait	Max. 340 × 230 mm or 13.385" × 9.055" Min. 200 × 134 mm or 7.875" × 5.280"
	Table C for landscape	Max. 340 × 305 mm or 13.385" × 12.005" Min. 207 × 273 mm or 8.150" × 10.750"
	Table K for A6	Max. 305 × 217 mm or 12.005" × 8.540" Min. 148 × 105 mm or 5.830" × 4.135"
	<b>Optional Rotary Tables</b>	
	Table D for landscape	Max. 305 × 340 mm or 12.005" × 13.385" Min. 176 × 225 mm or 6.930" × 8.860"
	Table E for landscape	Max. 230 × 340 mm or 9.055" × 13.385" Min. 148 × 210 mm or 5.830" × 8.270"
	Table F for portrait	Max. 340 × 230 mm or 13.385" × 9.055" Min. 251 × 179 mm or 9.885" × 7.050"
	Table G for portrait	Max. 340 × 230 mm or 13.385" × 9.055" Min. 204 × 145 mm or 8.035" × 5.710"
Table H for portrait	Max. 340 × 230 mm or 13.385" × 9.055" Min. 148 × 134 mm or 5.830" × 5.280"	
<b>Trim Width</b>	Max. 99.9 mm or 3.930" Min. 2 mm or 0.080" "0" can be entered (no trimming)	
<b>Trim Height</b>	Max. 51 mm or 2.005" Min. 1 mm or 0.040"	
<b>Book Weight</b>	Speed 7 or lower - Below 3 kg - 3 kg to just under 4 kg with thickness 30 mm or 1.181" or less Speed 4 or lower - 4 kg to 5 kg	

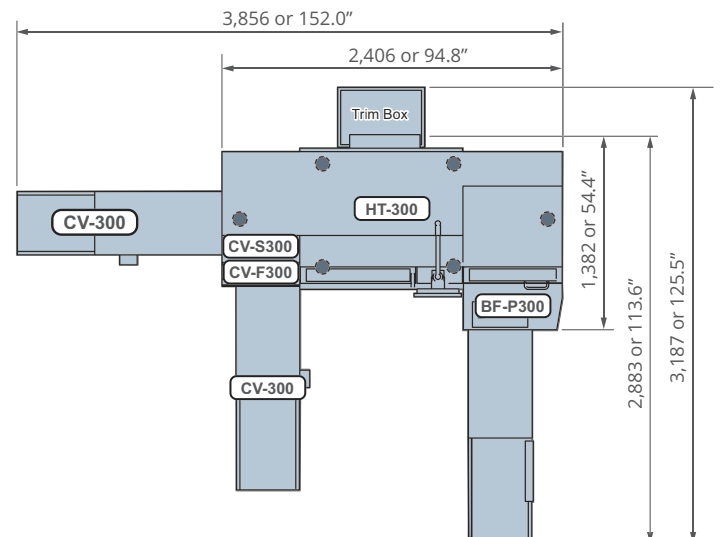
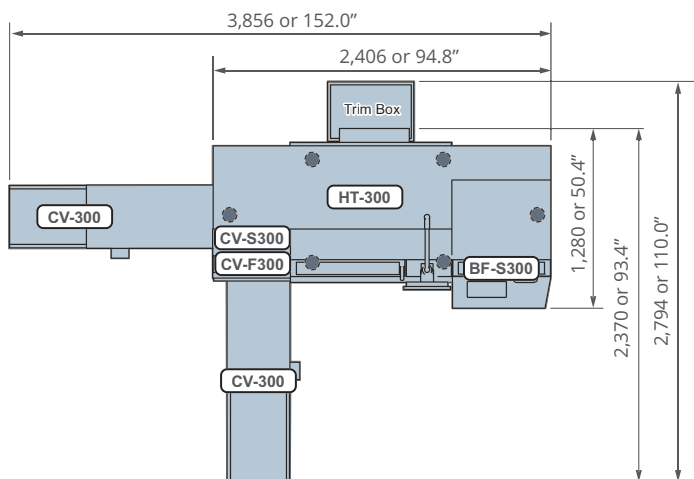
<b>Cover Extension Distance</b>	When the fore-edge jog brushes are used: Upper cover: 40 mm or 1.575" or less Lower cover: 3 mm or 0.118" or less *Note that this is limited when the books are stacked.
<b>Standard Sizes Trimmed Using Standard Accessories</b>	A4, A4E, B5, A5, A5E, B6, A6 or 8.5" × 11", 11" × 8.5", 6" × 9", 9" × 6", 5.5" × 8.5"
<b>Book Stack Height</b>	BF-S300 Sucker Feeder: 300 mm or 11.81"
<b>Clamp System and Load</b>	Servo motor 1 to 7 kN (100 to 700 kgf or 224 to 1573 lb)
<b>Production Speed</b>	<b>BF-S300 Suction Feeder</b> When trimming one book: Max. 160 to 300 books per hour When trimming multiple books: 280 to 590 books per hour
	<b>BF-P300 Pusher Feeder</b> When trimming one book: Max. 160 to 300 books per hour When trimming multiple books: 160 to 300 x number of stacked books per hour
<b>Voltage/Frequency</b>	200-240 V, 50 / 60 Hz (400 V, stepped down to 200 V by transformer)
<b>Machine Dimensions</b>	<b>When the BF-S300 sucker feeder is connected:</b> 2,406 (W) × 1,280 (D) × 1,550 (H) mm or 94.7" (W) × 50.4" (D) × 61.0" (H) <b>When the BF-P300 pusher feeder is connected:</b> 2,406 (W) × 3,187 (D) × 1,550 (H) mm or 94.7" (W) × 125.5" (D) × 61.0" (H) *Note that the dimensions of the CV-300 is not included.
<b>Recommended Air Source*1</b>	Rated Output of Compressor Motor (Reference) 1.5 kW (3-Phase 200V, 50 / 60 Hz) Control Pressure: 0.55 to 0.95 MPa or 79.8 to 137.7 psi Minimum Required Pressure: 0.6 MPa or 87 psi or more Minimum Discharge: 165 Liters per minute (ANR) or 5.8 cu f/min or more Type: Oil-free Type

\*1 Air compressor is required. (Need to be arranged locally.)

(Side View)



(Top View)



\*The machine design and specifications are subject to change without any notice.

\*Specifications may vary depending on the job, paper quality, environmental influences, and various other factors. Please do a test run before starting production.

**MORE AT**  
**HORIZON.CO.JP**



## **Horizon**

Horizon International Inc.

510 Kuze Ooyabu-cho, Minami-ku,  
Kyoto, 601-8206, Japan  
Phone : +81-75-934-6700  
Fax : +81-75-934-6708  
[www.horizon.co.jp](http://www.horizon.co.jp)

Horizon GmbH

Pascalstrasse 20  
25451 Quickborn / Germany  
Phone : +49 4106 8042-0  
Fax : +49 4106 8042-199  
[www.horizon.de](http://www.horizon.de)